

09/08/99

PROJECT: DF15002.2074808

CONTRACT: DB00321

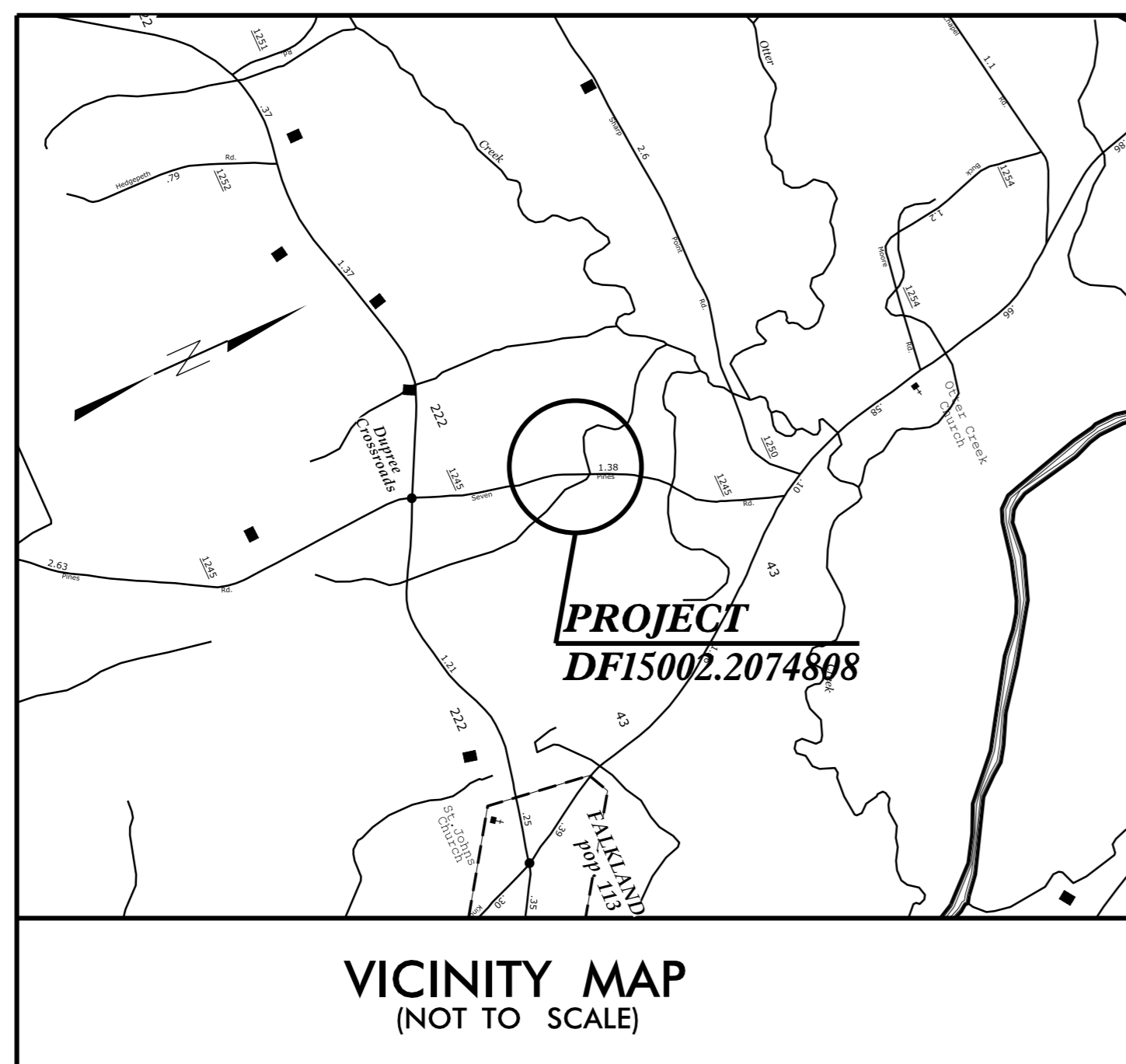
STATE OF NORTH CAROLINA  
DIVISION OF HIGHWAYS

**PITT COUNTY**

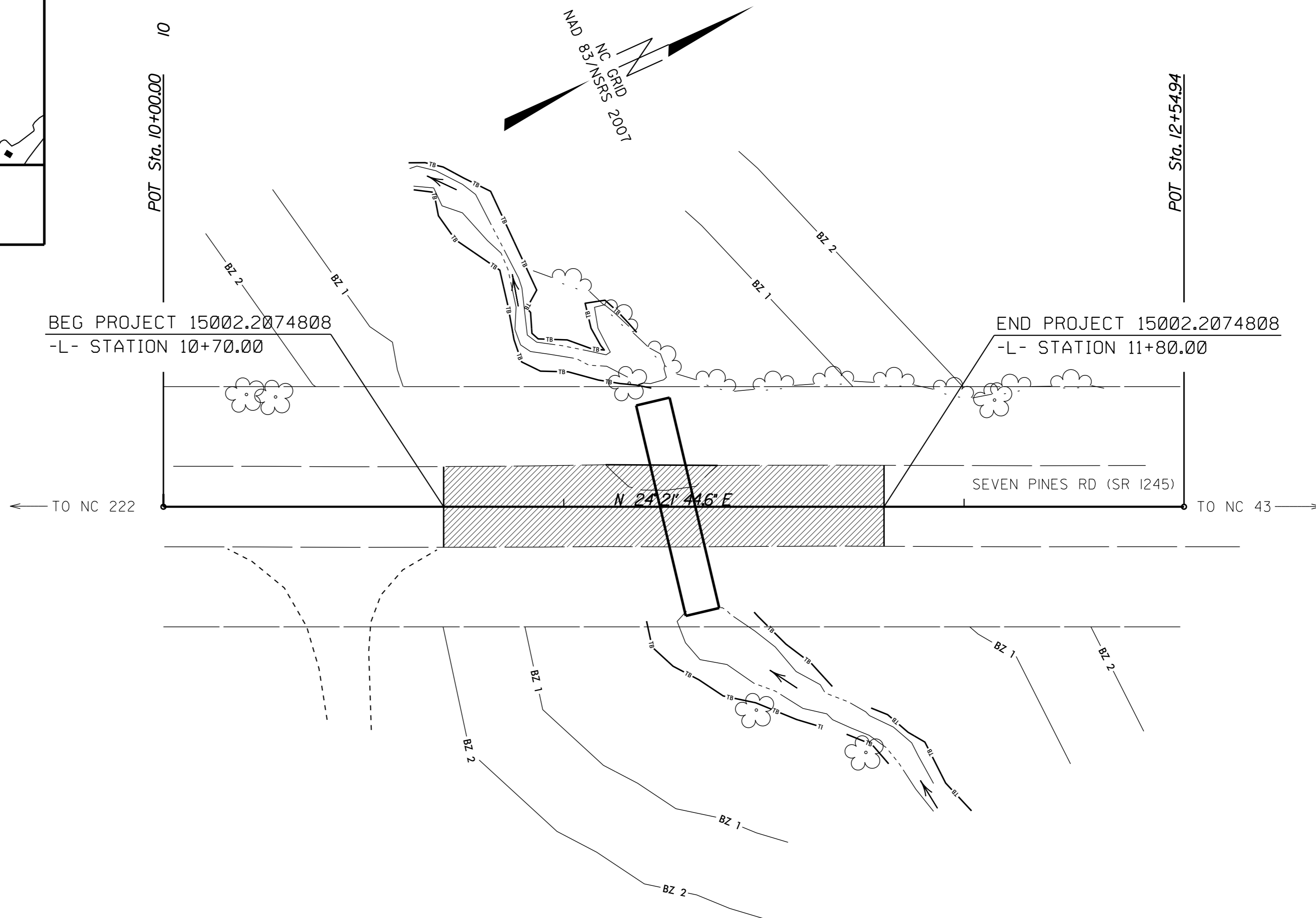
LOCATION: SEVEN PINES RD (SR 1245)  
0.65 MILES FROM NC 222

TYPE OF WORK: PIPE REPLACEMENT, PAVING AND GRADING

STATE	STATE PROJECT REFERENCE NO.	SHEET NO.	TOTAL SHEETS
N.C.	DF15002.2074808	1	
STATE PROJ. NO.	F.A. PROJ. NO.	DESCRIPTION	

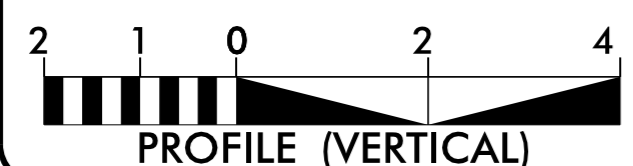
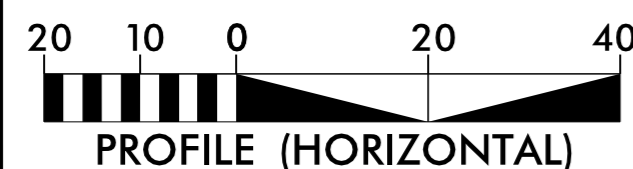
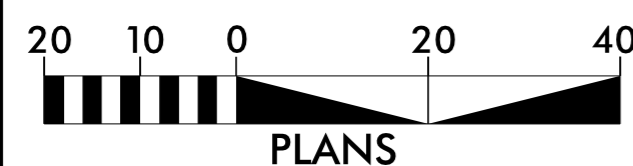


See Sheet 1-A For Index of Sheets



DOCUMENT NOT CONSIDERED FINAL  
UNLESS ALL SIGNATURES COMPLETED

GRAPHIC SCALES



PROJECT LENGTH = 0.021 MILES

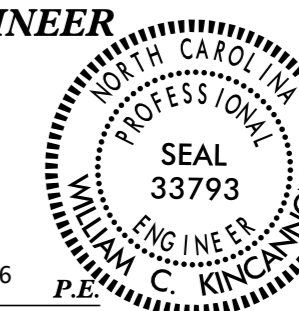
Prepared in the Office of:  
**DIVISION OF HIGHWAYS**  
1701 West Fifth St., Washington NC, 27889

2012 STANDARD SPECIFICATIONS

RIGHT OF WAY DATE: WILLIAM C KINCANNON, PE  
PROJECT ENGINEER

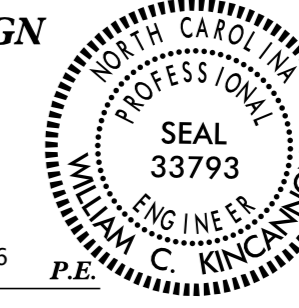
LETTING DATE: DECEMBER 2016  
LANG JONES  
PROJECT DESIGN ENGINEER

HYDRAULICS ENGINEER

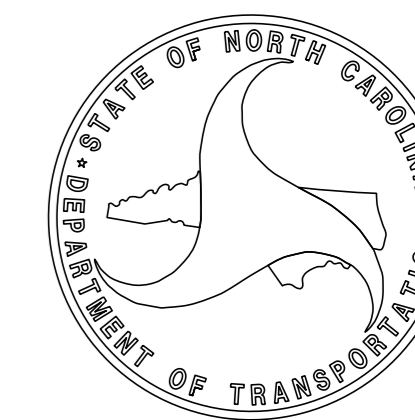


DocuSigned by:  
William C Kincannon 11/21/2016  
SIGNATURE:

ROADWAY DESIGN ENGINEER



DocuSigned by:  
William C Kincannon 11/21/2016  
SIGNATURE:



17-NOV-2016 15:05  
G:\PROJECTS\PITT\7PINES\SevenPines.pshl.dgn  
\$\$\$\$\$USERNAME\$\$\$\$\$

REVISIONS

INDEX OF SHEETS

- 1 TITLE SHEET
- 1A INDEX OF SHEETS, GENERAL NOTES, STANDARD DRAWINGS
- 1B CONVENTIONAL SYMBOLS
- 2 TYPICAL SECTIONS
- 3 SUMMARY OF QUANTITIES
- 3A SUMMARY OF DRAINAGE, AND EARTHWORK QUANTITIES
- 4 PLAN AND PROFILE SHEET
- EC1-EC4 EROSION CONTROL SHEETS
- X1A CROSS-SECTION SUMMARY
- X1 CROSS-SECTIONS

GENERAL NOTES:

2012 SPECIFICATIONS  
 EFFECTIVE: 01-17-2012  
 REVISED: 07-30-2012

GRADING AND SURFACING OR RESURFACING AND WIDENING:

THE GRADE LINES SHOWN DENOTE THE FINISHED ELEVATION OF THE PROPOSED SURFACING AT GRADE POINTS SHOWN ON THE TYPICAL SECTIONS. WHERE NO GRADE LINES ARE SHOWN, THE PROFILES SHOWN DENOTE THE TOP ELEVATION OF THE EXISTING PAVEMENT ALONG THE CENTER LINE OF SURVEY ON WHICH THE PROPOSED RESURFACING WILL BE PLACED. GRADE LINES MAY BE ADJUSTED BY THE ENGINEER IN ORDER TO SECURE A PROPER TIE-IN.

CLEARING:

CLEARING ON THIS PROJECT SHALL BE PERFORMED TO THE LIMITS ESTABLISHED BY METHOD II.

SUBSURFACE PLANS:

NO SUBSURFACE PLANS ARE AVAILABLE ON THIS PROJECT. THE CONTRACTOR SHOULD MAKE HIS OWN INVESTIGATION AS TO THE SUBSURFACE CONDITIONS.

RIGHT-OF-WAY MARKERS:

ALL RIGHT-OF-WAY MARKERS ON THIS PROJECT SHALL BE PLACED BY OTHERS.

2012 ROADWAY ENGLISH STANDARD DRAWINGS

The following Roadway Standards as appear in "Roadway Standard Drawings" Highway Design Branch - N. C. Department of Transportation - Raleigh, N. C., Dated January, 2012 are applicable to this project and by reference hereby are considered a part of these plans:

STD.NO.	TITLE
DIVISION 2 - EARTHWORK	
200.02	Method of Clearing - Method II
225.02	Guide for Grading Subgrade - Secondary and Local
DIVISION 3 - PIPE CULVERTS	
300.01	Method of Pipe Installation

# STATE OF NORTH CAROLINA, DIVISION OF HIGHWAYS CONVENTIONAL PLAN SHEET SYMBOLS

Note: Not to Scale \*S.U.E. = Subsurface Utility Engineering

## BOUNDARIES AND PROPERTY:

State Line	-----
County Line	-----
Township Line	-----
City Line	-----
Reservation Line	-----
Property Line	-----
Existing Iron Pin	○ EIP
Property Corner	-----
Property Monument	□ EDM
Parcel/Sequence Number	⑫③
Existing Fence Line	-x-x-x-
Proposed Woven Wire Fence	○
Proposed Chain Link Fence	□
Proposed Barbed Wire Fence	◇
Existing Wetland Boundary	----- WLB
Proposed Wetland Boundary	----- WLB
Existing Endangered Animal Boundary	----- EAB
Existing Endangered Plant Boundary	----- EPB
Existing Historic Property Boundary	----- HPB
Known Contamination Area: Soil	-----
Potential Contamination Area: Soil	-----
Known Contamination Area: Water	-----
Potential Contamination Area: Water	-----
Contaminated Site: Known or Potential	☠ ?

## BUILDINGS AND OTHER CULTURE:

Gas Pump Vent or U/G Tank Cap	○
Sign	○ S
Well	○ W
Small Mine	✕
Foundation	□
Area Outline	□
Cemetery	□
Building	□
School	□
Church	□
Dam	□

## HYDROLOGY:

Stream or Body of Water	-----
Hydro, Pool or Reservoir	-----
Jurisdictional Stream	----- JS
Buffer Zone 1	----- BZ 1
Buffer Zone 2	----- BZ 2
Flow Arrow	←
Disappearing Stream	-----
Spring	○
Wetland	-----
Proposed Lateral, Tail, Head Ditch	-----
False Sump	-----

## RAILROADS:

Standard Gauge	-----
RR Signal Milepost	○ MILEPOST 35
Switch	□ SWITCH
RR Abandoned	-----
RR Dismantled	-----

## RIGHT OF WAY:

Baseline Control Point	◆
Existing Right of Way Marker	△
Existing Right of Way Line	-----
Proposed Right of Way Line	-----
Proposed Right of Way Line with Iron Pin and Cap Marker	-----
Proposed Right of Way Line with Concrete or Granite R/W Marker	-----
Proposed Control of Access Line with Concrete CA Marker	-----
Existing Control of Access	-----
Proposed Control of Access	-----
Existing Easement Line	----- E
Proposed Temporary Construction Easement	----- E
Proposed Temporary Drainage Easement	----- TDE
Proposed Permanent Drainage Easement	----- PDE
Proposed Permanent Drainage / Utility Easement	----- DUE
Proposed Permanent Utility Easement	----- PUE
Proposed Temporary Utility Easement	----- TUE
Proposed Aerial Utility Easement	----- AUE
Proposed Permanent Easement with Iron Pin and Cap Marker	-----

## ROADS AND RELATED FEATURES:

Existing Edge of Pavement	-----
Existing Curb	-----
Proposed Slope Stakes Cut	----- C
Proposed Slope Stakes Fill	----- F
Proposed Curb Ramp	----- CR
Existing Metal Guardrail	-----
Proposed Guardrail	-----
Existing Cable Guiderail	-----
Proposed Cable Guiderail	-----
Equality Symbol	⊕
Pavement Removal	-----

## VEGETATION:

Single Tree	☼
Single Shrub	☼
Hedge	-----
Woods Line	-----

Orchard	☼ ☼ ☼ ☼
Vineyard	□ Vineyard

## EXISTING STRUCTURES:

MAJOR:	
Bridge, Tunnel or Box Culvert	----- CONC
Bridge Wing Wall, Head Wall and End Wall	----- CONC WW
MINOR:	
Head and End Wall	----- CONC HW
Pipe Culvert	-----
Footbridge	-----
Drainage Box: Catch Basin, DI or JB	□ CB
Paved Ditch Gutter	-----
Storm Sewer Manhole	○ S
Storm Sewer	----- S

## UTILITIES:

POWER:	
Existing Power Pole	●
Proposed Power Pole	○
Existing Joint Use Pole	●
Proposed Joint Use Pole	○
Power Manhole	⊕
Power Line Tower	⊠
Power Transformer	⊠
U/G Power Cable Hand Hole	-----
H-Frame Pole	●
U/G Power Line LOS B (S.U.E.*)	----- P
U/G Power Line LOS C (S.U.E.*)	----- P
U/G Power Line LOS D (S.U.E.*)	----- P

## TELEPHONE:

Existing Telephone Pole	●
Proposed Telephone Pole	○
Telephone Manhole	⊕
Telephone Pedestal	⊠
Telephone Cell Tower	⊠
U/G Telephone Cable Hand Hole	-----
U/G Telephone Cable LOS B (S.U.E.*)	----- T
U/G Telephone Cable LOS C (S.U.E.*)	----- T
U/G Telephone Cable LOS D (S.U.E.*)	----- T
U/G Telephone Conduit LOS B (S.U.E.*)	----- TC
U/G Telephone Conduit LOS C (S.U.E.*)	----- TC
U/G Telephone Conduit LOS D (S.U.E.*)	----- TC
U/G Fiber Optics Cable LOS B (S.U.E.*)	----- T FO
U/G Fiber Optics Cable LOS C (S.U.E.*)	----- T FO
U/G Fiber Optics Cable LOS D (S.U.E.*)	----- T FO

## WATER:

Water Manhole	⊕
Water Meter	○
Water Valve	⊗
Water Hydrant	⊕
U/G Water Line LOS B (S.U.E.*)	----- W
U/G Water Line LOS C (S.U.E.*)	----- W
U/G Water Line LOS D (S.U.E.*)	----- W
Above Ground Water Line	----- A/G Water

## TV:

TV Pedestal	⊠
TV Tower	⊗
U/G TV Cable Hand Hole	-----
U/G TV Cable LOS B (S.U.E.*)	----- TV
U/G TV Cable LOS C (S.U.E.*)	----- TV
U/G TV Cable LOS D (S.U.E.*)	----- TV
U/G Fiber Optic Cable LOS B (S.U.E.*)	----- TV FO
U/G Fiber Optic Cable LOS C (S.U.E.*)	----- TV FO
U/G Fiber Optic Cable LOS D (S.U.E.*)	----- TV FO

## GAS:

Gas Valve	◇
Gas Meter	⊕
U/G Gas Line LOS B (S.U.E.*)	----- G
U/G Gas Line LOS C (S.U.E.*)	----- G
U/G Gas Line LOS D (S.U.E.*)	----- G
Above Ground Gas Line	----- A/G Gas

## SANITARY SEWER:

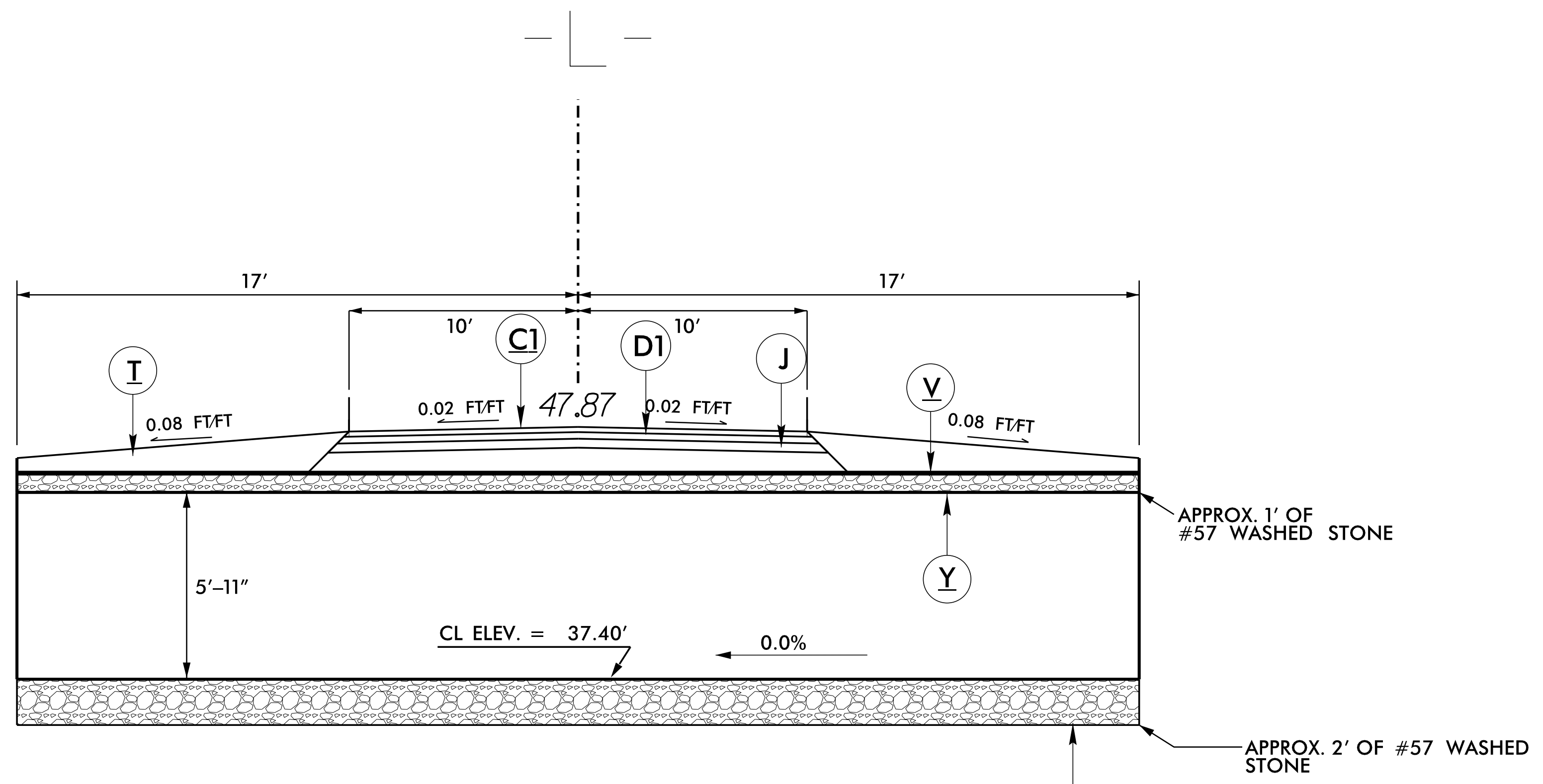
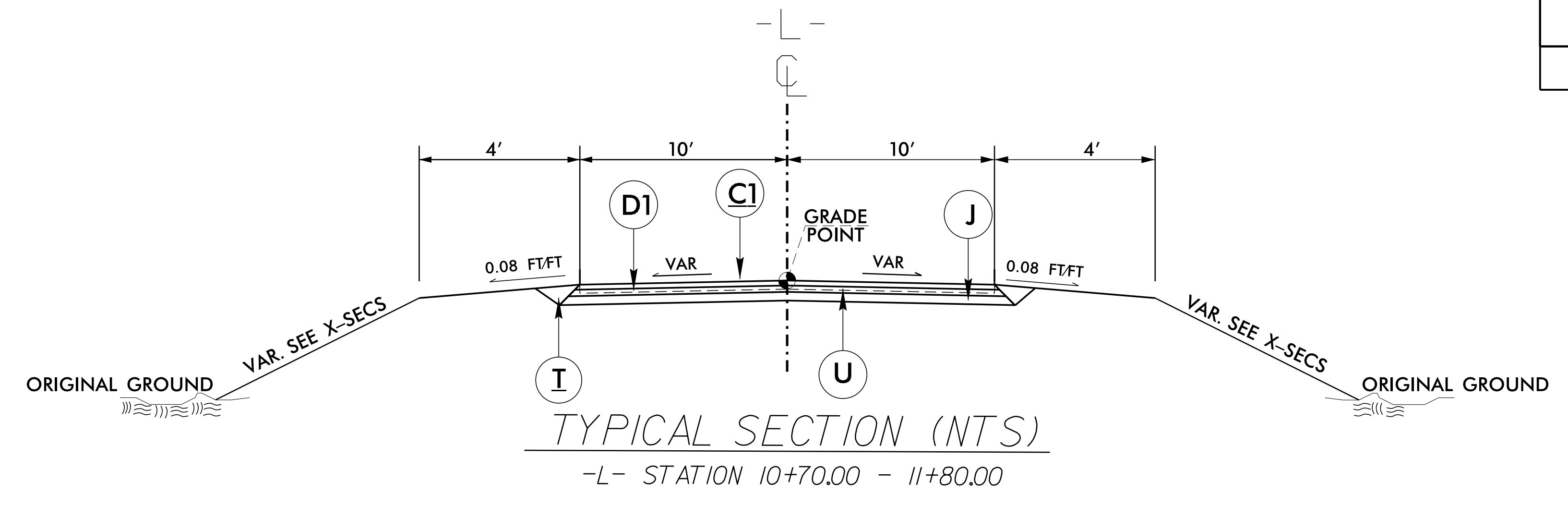
Sanitary Sewer Manhole	⊕
Sanitary Sewer Cleanout	⊕
U/G Sanitary Sewer Line	----- SS
Above Ground Sanitary Sewer	----- A/G Sanitary Sewer
SS Forced Main Line LOS B (S.U.E.*)	----- FSS
SS Forced Main Line LOS C (S.U.E.*)	----- FSS
SS Forced Main Line LOS D (S.U.E.*)	----- FSS

## MISCELLANEOUS:

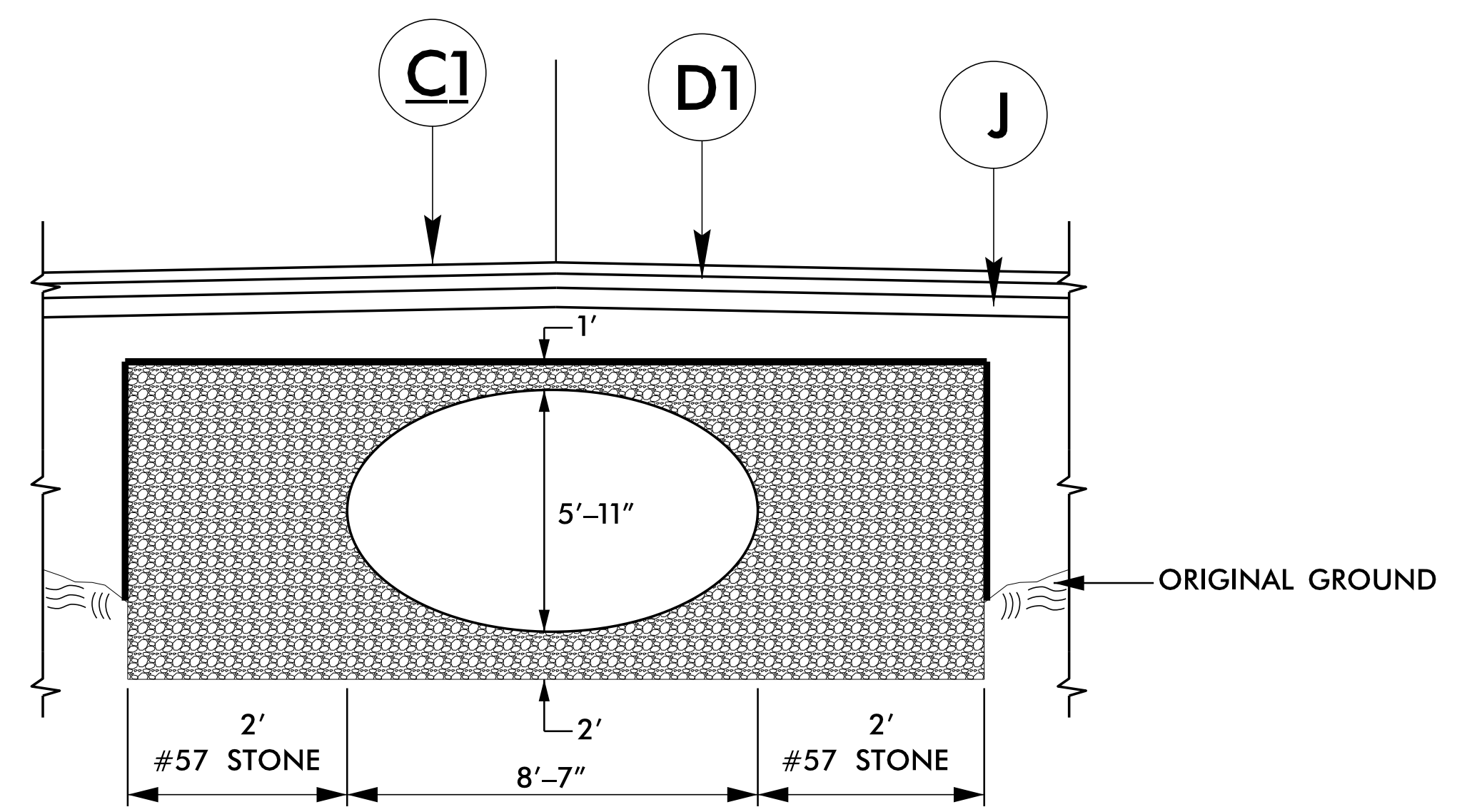
Utility Pole	●
Utility Pole with Base	⊠
Utility Located Object	○
Utility Traffic Signal Box	⊠
Utility Unknown U/G Line LOS B (S.U.E.*)	----- ?U/L
U/G Tank; Water, Gas, Oil	-----
Underground Storage Tank, Approx. Loc.	⊠ UST
A/G Tank; Water, Gas, Oil	-----
Geoenvironmental Boring	⊕
U/G Test Hole LOS A (S.U.E.*)	⊕
Abandoned According to Utility Records	AATUR
End of Information	E.O.I.

C1	PROP. APPROX. 2" ASPHALT CONCRETE SURFACE COURSE, TYPE SF9.5A, AT AN AVERAGE RATE OF 165 LBS. PER SQ.YD. IN 1 LAYER.
D1	PROP. APPROX. 3" ASPHALT CONCRETE INTERMEDIATE COURSE, TYPE B25.0B, AT AN AVERAGE RATE OF 570 LBS. PER SQ.YD.
J	5" AGGREGATE BASE COURSE
I	EARTH MATERIAL.
U	EXISTING PAVEMENT.
V	FILTER FABRIC
Y	#57 WASHED STONE

NOTE: PAVEMENT EDGE SLOPES ARE 1:1 UNLESS SHOWN OTHERWISE.



*TYPICAL BOX CULVERT SECTION (NTS)*  
-L- STATION 11+28.46



*TYPICAL BOX CULVERT SECTION (NTS)*  
-L- STATION 11+28.46

REVISIONS

8/17/99  
C:\NOC-2016-15197\TYPINES\ServerPines-ph2.dgn  
\$\$\$\$\$

STATE OF NORTH CAROLINA  
DIVISION OF HIGHWAYS  
**SUMMARY OF QUANTITIES**

SECT	QUANTITY	UNIT	ITEM DESCRIPTION
1	800	1	LS MOBILIZATION
2	801	1	LS CONSTRUCTION SURVEYING
3	226	70	CY UNCLASSIFIED EXCAVATION
4	250	250	SY REMOVAL OF EXISTING PAVEMENT
5	412	395	CY UNCLASSIFIED STRUCTURE EXCAVATION -L- STATION 11+28.46
6	520	85	TON AGGREGATE BASE COURSE
7	610	55	TON ASPHALT CONCRETE INTERMEDIATE COURSE,TYPE 119.0B
8	610	35	TON ASPHALT CONCRETE SURFACE COURSE,TYPE SF9.5A
9	620	10	TON ASPHALT BINDER FOR PLANT MIX,GRADE PG64-22
10	876	190	SY GEOTEXTILE FOR DRAINAGE
11	1005	210	TON *57 STONE
12	1605	215	LF TEMPORARY SILT FENCE
13	SP	100	LF SAFETY FENCE (AS DIRECTED BY THE ENGINEER)
14	1610	5	TON STONE FOR EROSION CONTROL,CLASS B
15	1610	10	TON SEDIMENT CONTROL STONE
16	1620	50	LB SEED FOR TEMPORARY SEEDING
17	1620	0.25	TON FERTILIZER FOR TEMPORARY SEEDING
18	1632	75	SY MATTING FOR EROSION CONTROL
19	1632	70	LF 1/4" HARDWARE CLOTH
20	1660	1	ACRE SEEDING AND MULCHING
21	1661	50	LB SEED FOR REPAIR SEEDING
22	1661	0.2	TON FERTILIZER FOR REPAIR SEEDING
23	SP	3	EA RESPONSE FOR EROSION CONTROL
24	SP	60	LF COIR FIBER WATTLE
25	SP	1	LB PAM
26	SP	1	LS 103" X 7" X 54'-0" OF CMPA PIPE WITH HEADWALLS AT -L- STATION 11+28.46
27	SP	60	LF IMPERVIOUS DIKE
28	SP	1	LS DEWATERING

STATE OF NORTH CAROLINA  
DIVISION OF HIGHWAYS

**LIST OF PIPES, ENDWALLS, ETC.**

STATION	LOCATION (L, RT, OR CL)	STRUCTURE NO.	TOP ELEVATION	INVERT ELEVATION	INVERT ELEVATION	SLOPE CRITICAL	R.C. PIPE (CLASS III)						PIPE REMOVAL LIN.FT.	CMPA 100° SKEW
							15"	18"	24"	30"	36"	42"		
		FROM TO												
-L- 11+28.46	CL	1		37.40	37.40	0.0%								54'
TOTALS														54'

NOTE: Invert Elevations are for Bid Purposes only and shall not be used for project construction stakeout.  
See "Standard Specifications For Roads and Structures, Section 300-5".

**SUMMARY OF EARTHWORK  
IN CUBIC YARDS**

LOCATION	UNCLASSIFIED EXCAVATION	BOX CULVERT EXCAVATION	UNDERCUT	EMBT + %	BORROW	WASTE
-L- 10+70.00 - 11+80.00	69		0	119	50	0
UNDERCUT (CONTINGENCY)			100	120	120	100
UNCLASSIFIED STRUCTURE EXCAVATION		394		-170	-170	224
SUB TOTAL	69	394	100	69	0	324
SAY	70	395	100	70	0	325

**PAVEMENT REMOVAL SUMMARY  
IN SQUARE YARDS**

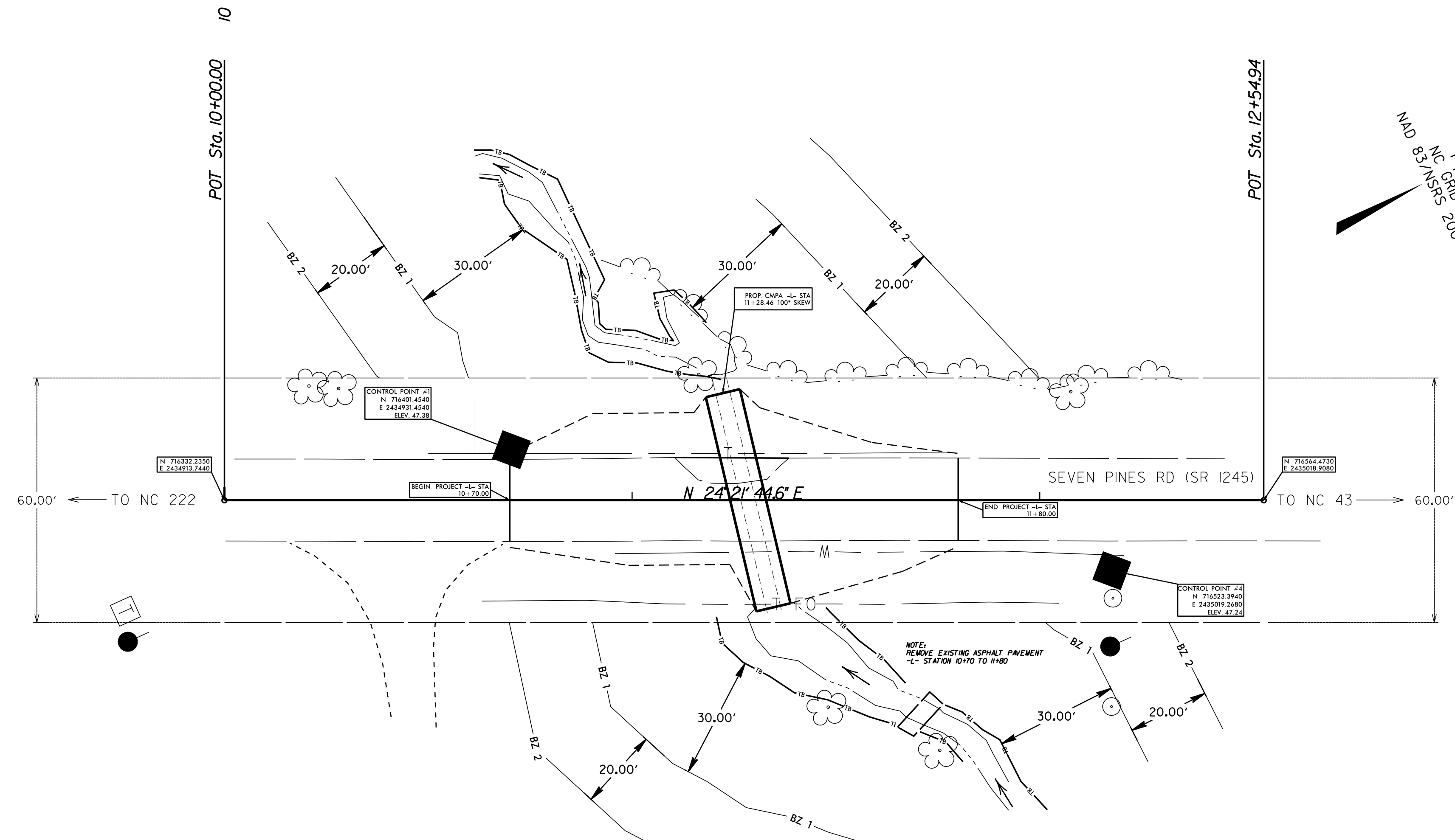
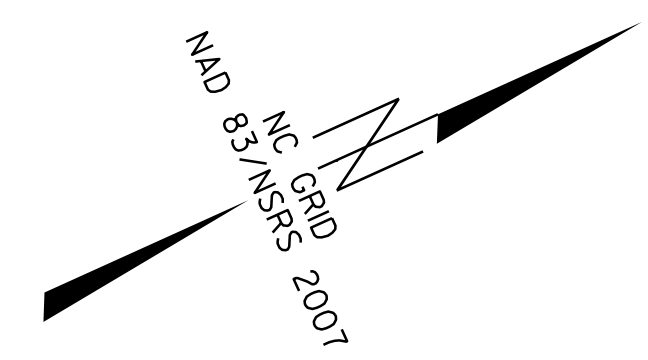
LINE	STATION - STATION	LOCATION	REMOVAL (SY)
-L-	10+70.00 - 11+80.00	CL	248
TOTAL			248
SAY			250

NOTE:  
APPROXIMATE QUANTITIES ONLY. UNCLASSIFIED EXCAVATION, UNCLASSIFIED STRUCTURE EXCAVATION, BORROW EXCAVATION, FINE GRADING, CLEARING AND GRUBBING AND REMOVAL OF EXISTING PAVEMENT WILL BE PAID FOR AT THE CONTRACT LUMP SUM PRICE FOR "GRADING."

REVISIONS

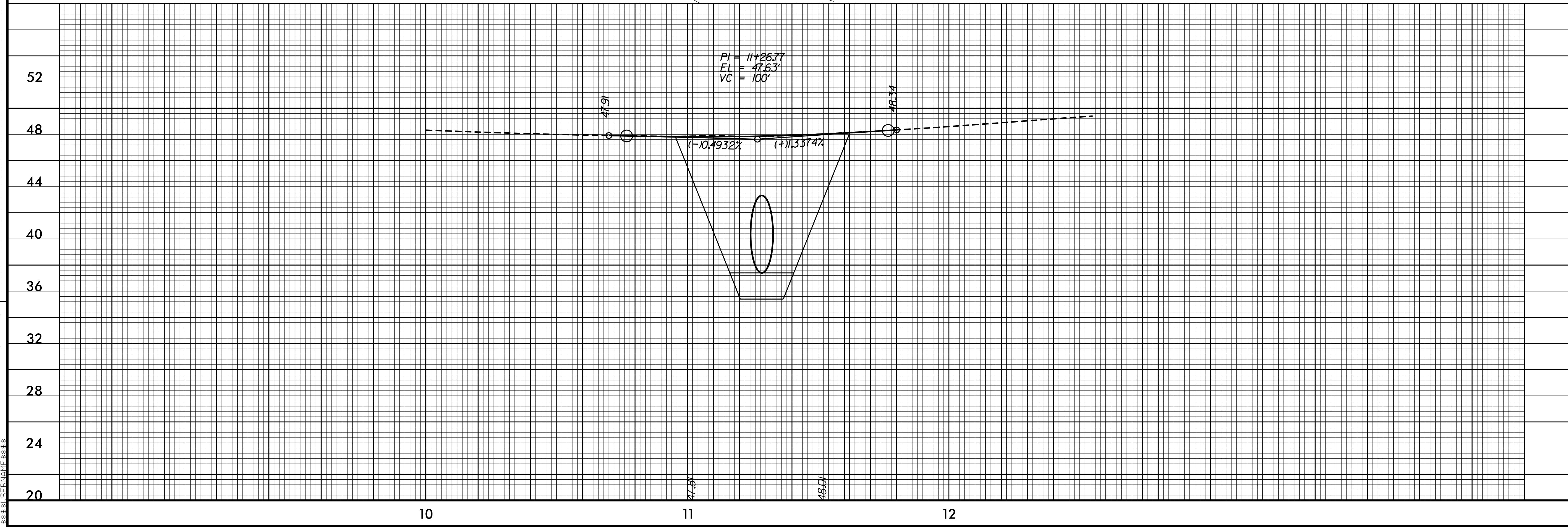
8/17/99

C:\NOC\206\5199\TYPINES\SeverPines-ph3a.dgn  
\$\$\$\$\$DATE\$\$\$\$\$



REVISIONS

I:\900\_2016\_510\_T\7PINES\SevenPines-ph4.dgn  
 8/17/17 9:58 AM



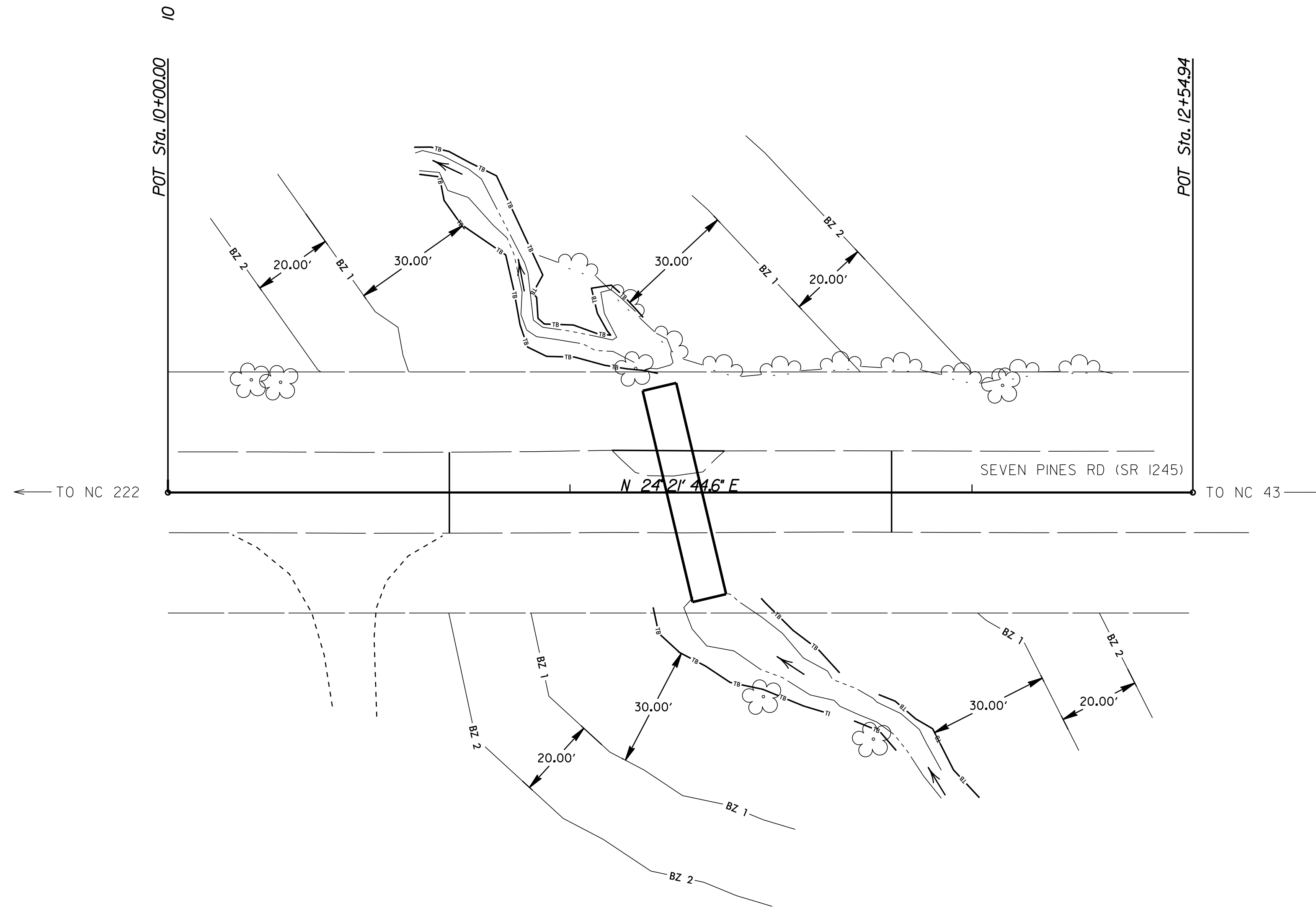
**PROJECT: DF15002.2074808**

STATE OF NORTH CAROLINA  
DIVISION OF HIGHWAYS  
**PLAN FOR PROPOSED  
HIGHWAY EROSION CONTROL**

STATE	STATE PROJECT REFERENCE NO.	SHEET NO.	TOTAL SHEETS
N.C.	DF15002.2074808	EC-1	4
STATE PROJ. NO.	F.A. PROJ. NO.	DESCRIPTION	

**EROSION AND SEDIMENT CONTROL MEASURES**

Std. #	Description	Symbol
1630.03	Temporary Silt Ditch	TD
1630.05	Temporary Diversion	TD
1605.01	Temporary Silt Fence	III III III
1606.01	Special Sediment Control Fence	△△△△△
1622.01	Temporary Berms and Slope Drains	— T —
1630.02	Silt Basin Type B	▨
1633.01	Temporary Rock Silt Check Type-A	▩
	Temporary Rock Silt Check Type-A with Matting and Polyacrylamide (PAM)	▩
1633.02	Temporary Rock Silt Check Type-B	▩
	Wattle/Coir Fiber Wattle	W
	Wattle/Coir Fiber Wattle with Polyacrylamide (PAM)	W
1634.01	Temporary Rock Sediment Dam Type-A	▩
1634.02	Temporary Rock Sediment Dam Type-B	▩
1635.01	Rock Pipe Inlet Sediment Trap Type-A	⊓
1635.02	Rock Pipe Inlet Sediment Trap Type-B	⊓
1630.04	Stilling Basin	▭
1630.06	Special Stilling Basin	▭
	Rock Inlet Sediment Trap:	
1632.01	Type A	A
1632.02	Type B	B
1632.03	Type C	C
	Skimmer Basin	▭
	Tiered Skimmer Basin	▭
	Infiltration Basin	▭



**THIS PROJECT CONTAINS  
EROSION CONTROL PLANS  
FOR CLEARING AND  
GRUBBING PHASE OF  
CONSTRUCTION.**

**ENVIRONMENTALLY  
SENSITIVE AREA(S) EXIST  
ON THIS PROJECT**  
*Refer To E. C. Special Provisions  
for Special Considerations.*

**GRAPHIC SCALE**

10 0 20

PLANS

10 0 20

PROFILE (HORIZONTAL)

2 0 4

PROFILE (VERTICAL)

ROADSIDE ENVIRONMENTAL UNIT  
DIVISION OF HIGHWAYS  
STATE OF NORTH CAROLINA

**THESE EROSION AND SEDIMENT CONTROL PLANS COMPLY  
WITH THE REGULATIONS SET FORTH BY THE  
NCG-010000 GENERAL CONSTRUCTION PERMIT EFFECTIVE AUGUST 3, 2011  
ISSUED BY THE NORTH CAROLINA DEPARTMENT OF ENVIRONMENT AND  
NATURAL RESOURCES DIVISION OF WATER QUALITY.**

Prepared in the Office of:  
**DIVISION 2 DDC**  
1704 North Greene St.  
Greenville, NC 27834

**2012 STANDARD SPECIFICATIONS**

Designed by:  
**TIMOTHY PINKHAM** 3510  
NAME LEVEL III CERTIFICATION NO.

Roadway Standard Drawings

The following roadway english standards as appear in "Roadway Standard Drawings"- Roadway Design Unit - N. C. Department of Transportation - Raleigh, N. C., dated January 2012 and the latest revision thereto are applicable to this project and by reference hereby are considered a part of these plans.

1604.01 Railroad Erosion Control Detail	1632.01 Rock Inlet Sediment Trap Type A
1605.01 Temporary Silt Fence	1632.02 Rock Inlet Sediment Trap Type B
1606.01 Special Sediment Control Fence	1632.03 Rock Inlet Sediment Trap Type C
1607.01 Gravel Construction Entrance	1633.01 Temporary Rock Silt Check Type A
1622.01 Temporary Berms and Slope Drains	1633.02 Temporary Rock Silt Check Type B
1630.01 Riser Basin	1634.01 Temporary Rock Sediment Dam Type A
1630.02 Silt Basin Type B	1634.02 Temporary Rock Sediment Dam Type B
1630.03 Temporary Silt Ditch	1635.01 Rock Pipe Inlet Sediment Trap Type A
1630.04 Stilling Basin	1635.02 Rock Pipe Inlet Sediment Trap Type B
1630.05 Temporary Diversion	1640.01 Coir Fiber Baffle
1630.06 Special Stilling Basin	1645.01 Temporary Stream Crossing
1631.01 Matting Installation	

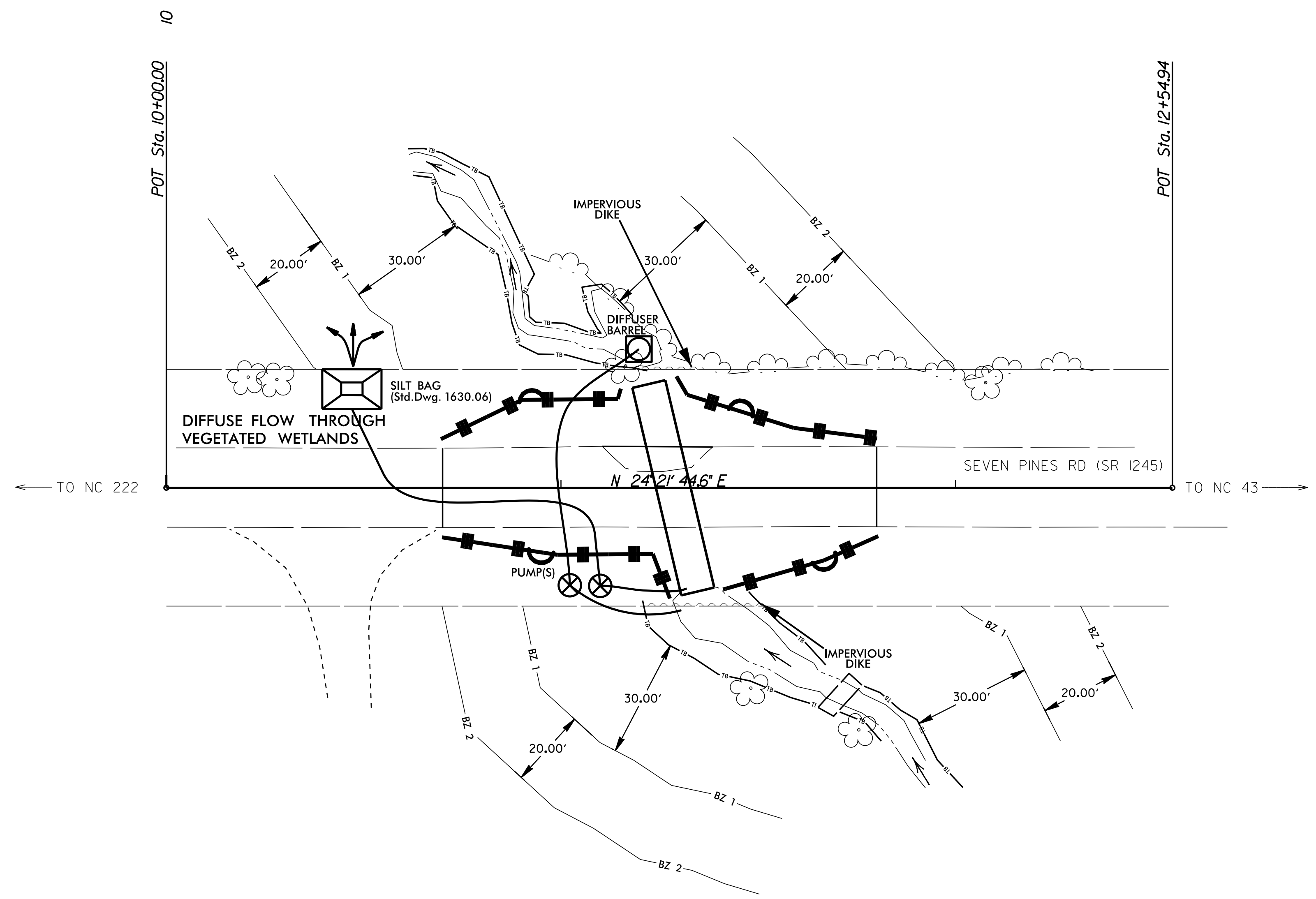
17-NOV-2016 File: \\SPINER\SevenPines.ec1.dgn  
C:\Users\jgibson\Documents\Projects\SevenPines\SevenPines.ec1.dgn



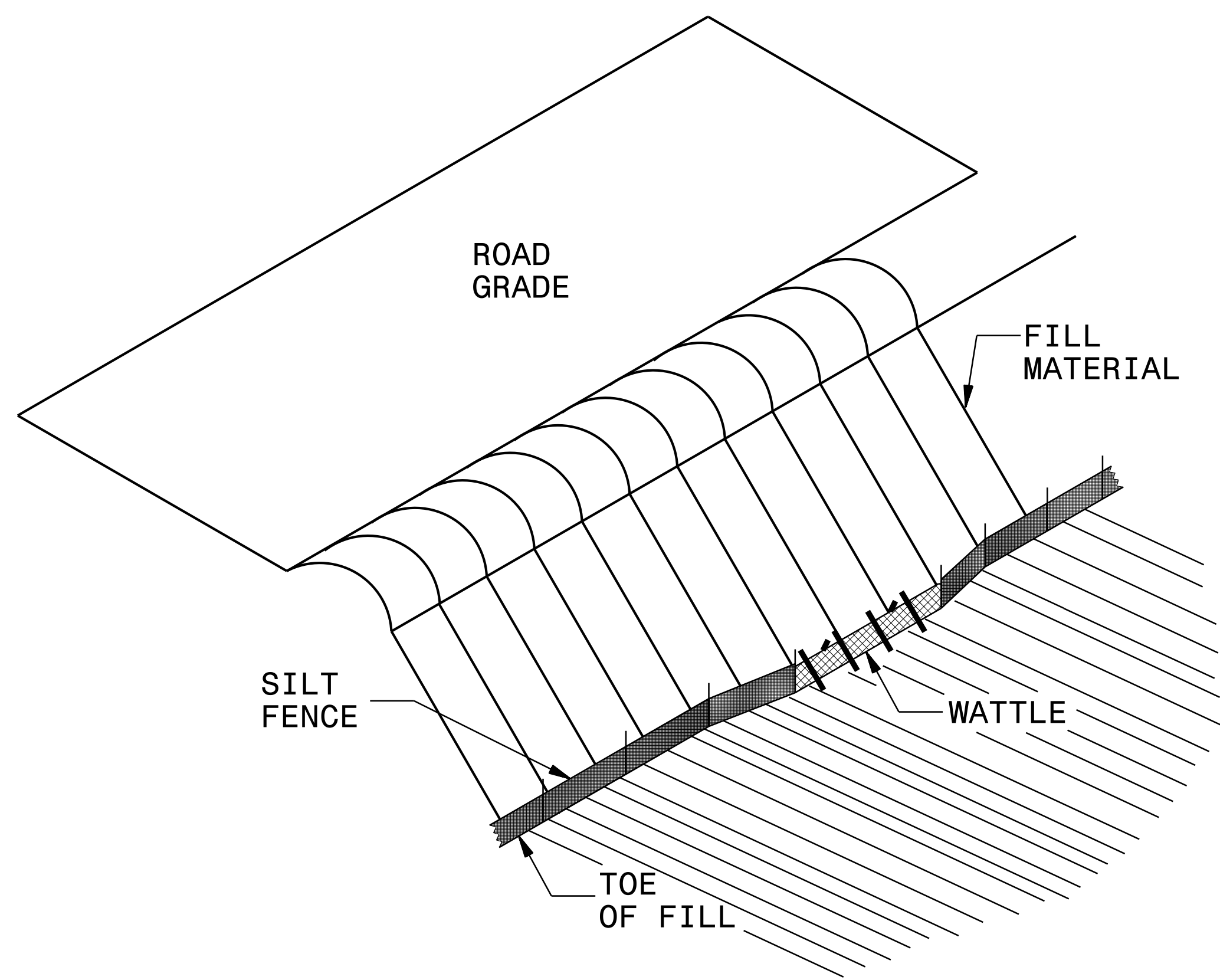
8/17/99

REVISIONS

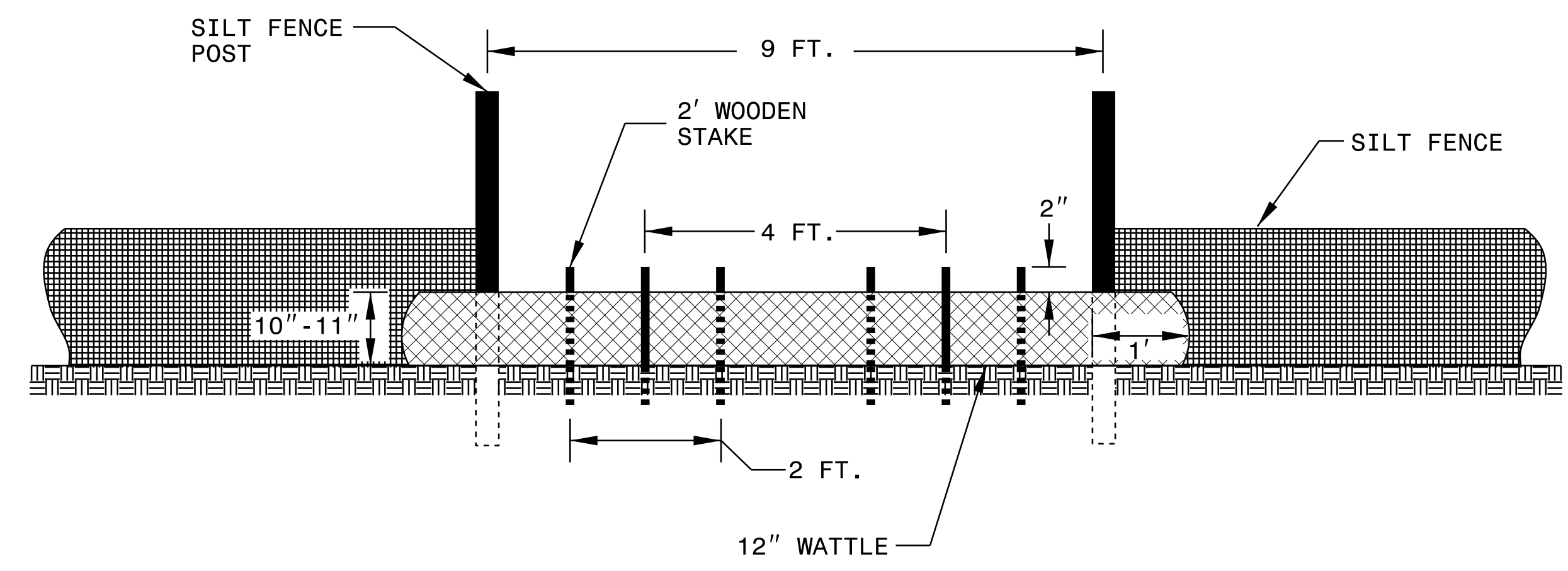
C:\NOC\2006\54\IT\7PINES\SevenPines.ec2.dgn  
 \$\$\$\$\$\$  
 \$\$\$\$\$\$



# SILT FENCE COIR FIBER WATTLE BREAK DETAIL



**ISOMETRIC VIEW**

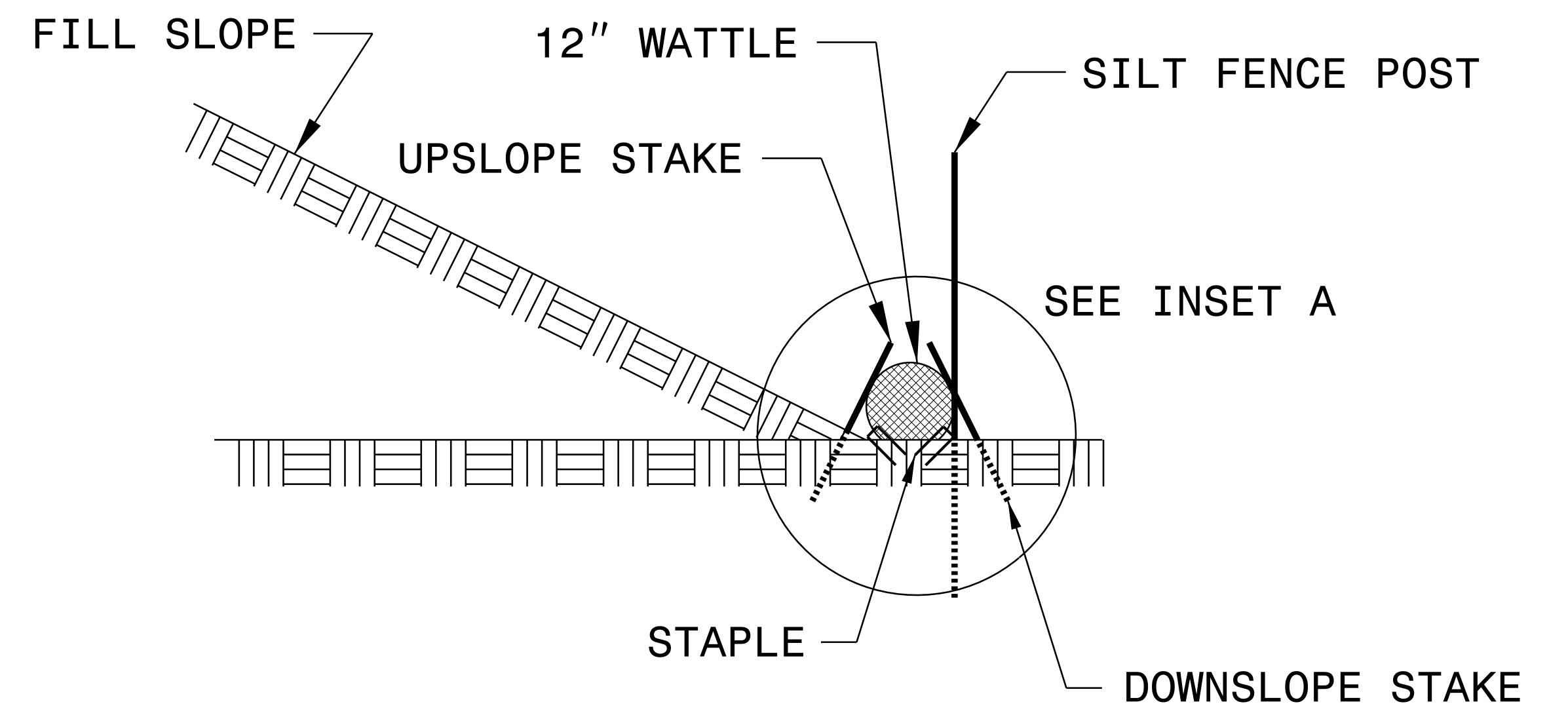
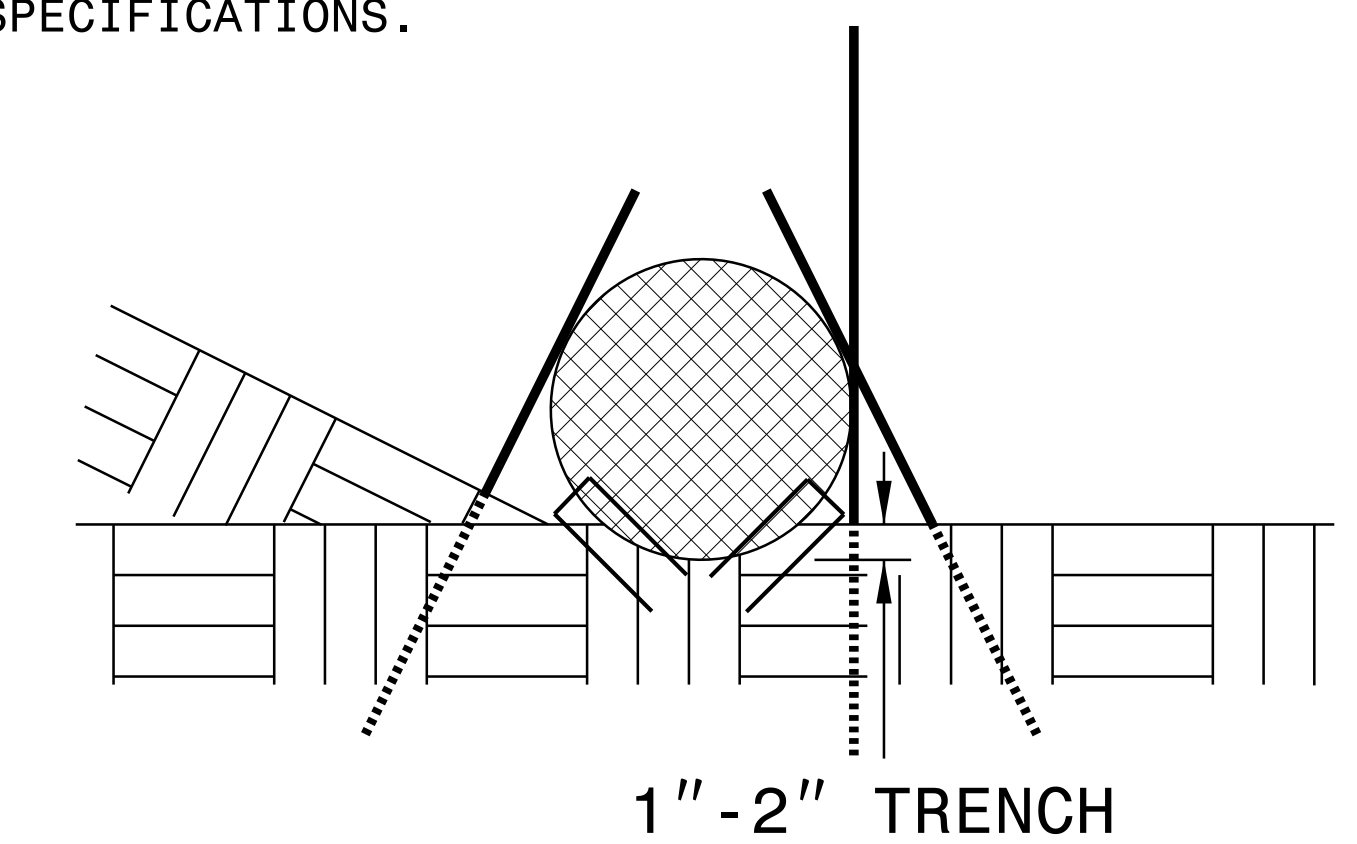


**VIEW FROM SLOPE**

**NOTES:**

- USE MINIMUM 12 IN. DIAMETER COIR FIBER (COCONUT FIBER) WATTLE AND LENGTH OF 10 FT.
- EXCAVATE A 1 TO 2 INCH TRENCH FOR WATTLE TO BE PLACED.
- DO NOT PLACE WATTLE ON TOE OF SLOPE.
- USE 2 FT. WOODEN STAKES WITH A 2 IN. BY 2 IN. NOMINAL CROSS SECTION.
- INSTALL A MINIMUM OF 2 UPSLOPE STAKES AND 4 DOWNSLOPE STAKES AT AN ANGLE TO WEDGE WATTLE TO GROUND.
- PROVIDE STAPLES MADE OF 0.125 IN. DIAMETER STEEL WIRE FORMED INTO A U SHAPE NOT LESS THAN 12" IN LENGTH.
- INSTALL STAPLES APPROXIMATELY EVERY 1 LINEAR FOOT ON BOTH SIDES OF WATTLE AND AT EACH END TO SECURE IT TO THE SOIL.
- WATTLE INSTALLATION CAN BE ON OUTSIDE OF THE SILT FENCE AS DIRECTED.
- INSTALL TEMPORARY SILT FENCE IN ACCORDANCE WITH SECTION 1605 OF THE STANDARD SPECIFICATIONS.

**INSET A**



**SIDE VIEW**

DIVISION OF HIGHWAYS  
STATE OF NORTH CAROLINA

---



---

## ***SOIL STABILIZATION TIMEFRAMES***

<i>SITE DESCRIPTION</i>	<i>STABILIZATION TIME</i>	<i>TIMEFRAME EXCEPTIONS</i>
PERIMETER DIKES, SWALES, DITCHES AND SLOPES	7 DAYS	NONE
HIGH QUALITY WATER (HQW) ZONES	7 DAYS	NONE
SLOPES STEEPER THAN 3:1	7 DAYS	IF SLOPES ARE 10' OR LESS IN LENGTH AND ARE NOT STEEPER THAN 2:1, 14 DAYS ARE ALLOWED.
SLOPES 3:1 OR FLATTER	14 DAYS	7 DAYS FOR SLOPES GREATER THAN 50' IN LENGTH.
ALL OTHER AREAS WITH SLOPES FLATTER THAN 4:1	14 DAYS	NONE, EXCEPT FOR PERIMETERS AND HQW ZONES.

STATE OF NORTH CAROLINA  
DIVISION OF HIGHWAYS

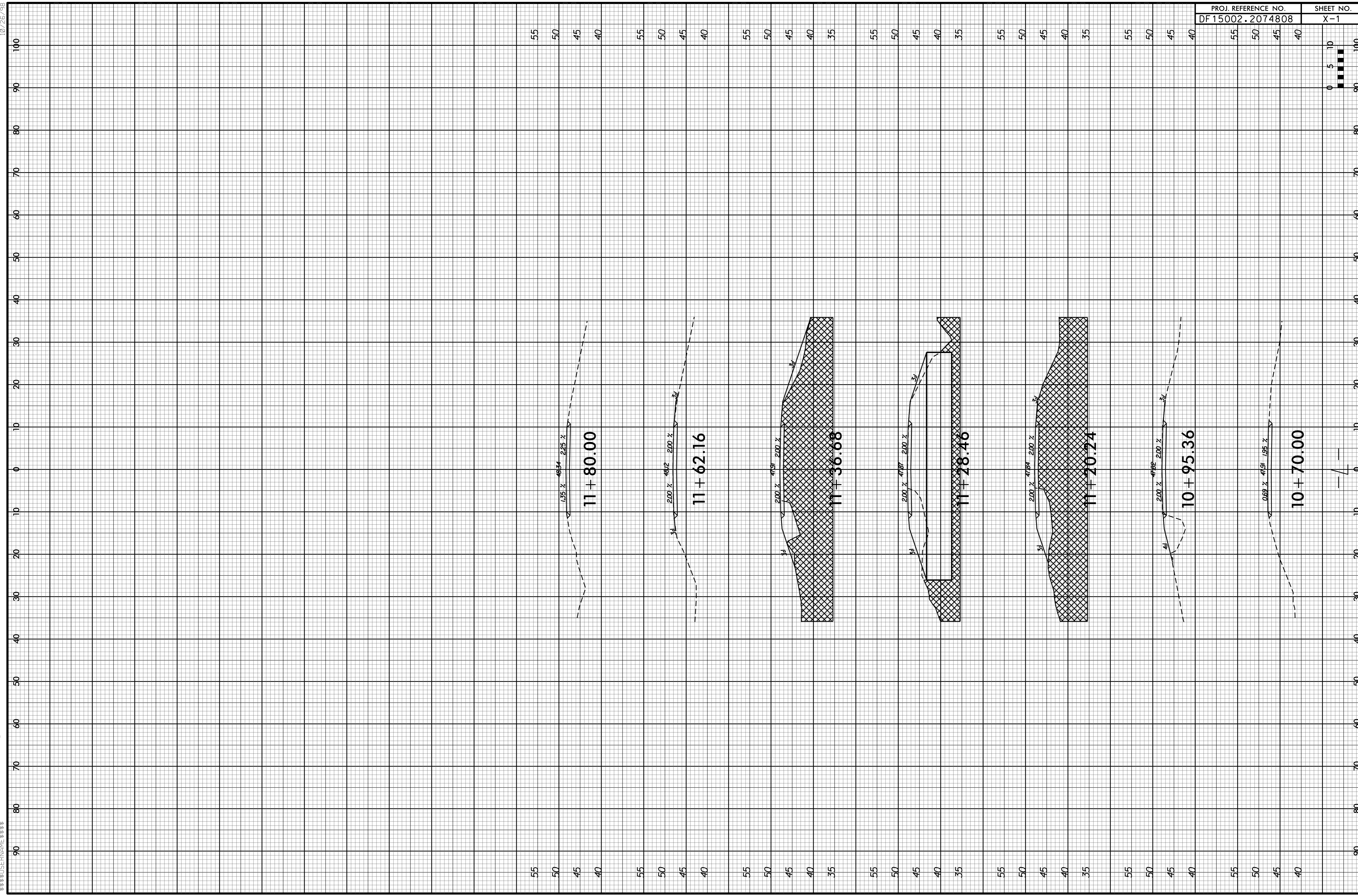
## CROSS-SECTION SUMMARY

IN CUBIC YARDS

LOCATION (-L-)	UNCLASSIFIED EXCAVATION	UNDERCUT	EMBANKMENT	STRUCTURE EXCAVATION
<i>10+70.00</i>	<i>0</i>	<i>0</i>	<i>0</i>	<i>0</i>
<i>10+95.36</i>	<i>18</i>	<i>0</i>	<i>14</i>	<i>0</i>
<i>11+20.24</i>	<i>15</i>	<i>0</i>	<i>32</i>	<i>0</i>
<i>11+28.46</i>	<i>4</i>	<i>0</i>	<i>15</i>	<i>197</i>
<i>11+36.68</i>	<i>4</i>	<i>0</i>	<i>16</i>	<i>197</i>
<i>11+62.16</i>	<i>16</i>	<i>0</i>	<i>22</i>	<i>0</i>
<i>11+80.00</i>	<i>12</i>	<i>0</i>	<i>0</i>	<i>0</i>

NOTE: EMBANKMENT COLUMN DOES NOT INCLUDE BACKFILL FOR UNDERCUT.

NOTE:  
APPROXIMATE QUANTITIES ONLY. UNCLASSIFIED EXCAVATION,  
UNCLASSIFIED STRUCTURE EXCAVATION, BORROW EXCAVATION,  
FINE GRADING, CLEARING AND GRUBBING AND REMOVAL OF  
EXISTING PAVEMENT WILL BE PAID FOR AT THE CONTRACT LUMP  
SUM PRICE FOR "GRADING."



55  
50  
45  
40

11 + 80.00

1.55 % 48.34 2.25 %

55  
50  
45  
40

11 + 62.16

2.00 % 44.12 2.00 %

55  
50  
45  
40  
35

11 + 30.68

2.00 % 41.91 2.00 %

55  
50  
45  
40  
35

11 + 28.46

2.00 % 41.87 2.00 %

55  
50  
45  
40  
35

11 + 20.24

2.00 % 41.84 2.00 %

55  
50  
45  
40

10 + 95.36

2.00 % 47.86 2.00 %

55  
50  
45  
40

10 + 70.00

0.69 % 41.91 1.95 %

